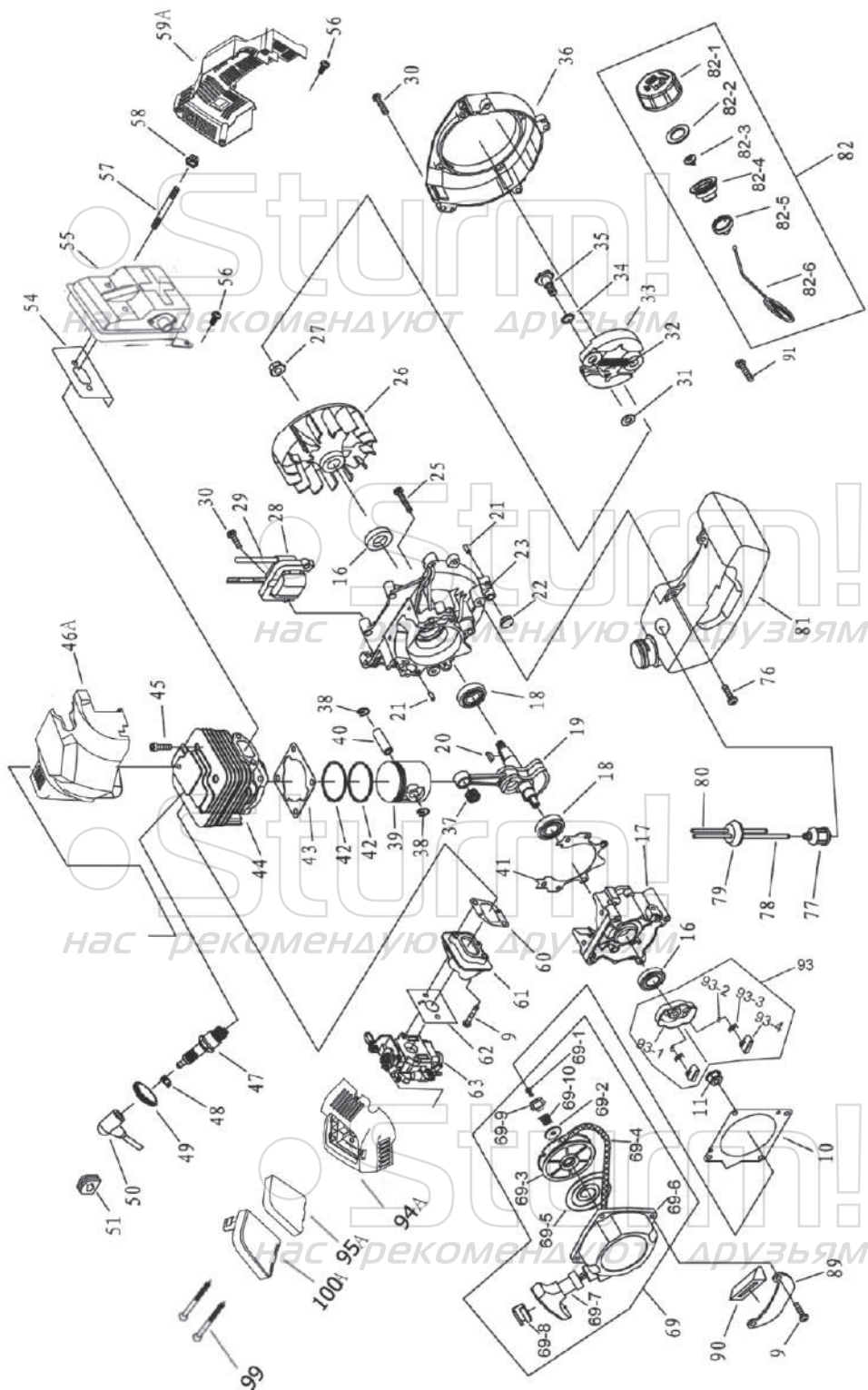


BT8952AS

NO.	DESCRIPTION
1	CLUTCH CASE ASSY
2	BELT
3	DAMPING RUBBER
4	DAMPING RUBBER
5	RIHGT HANDLE ASSY
6	LEFT HANDLE ASSY
7	SCREW HEAD
8	HANDLE HOLDER UP
9	HANDLE HOLDER DOWN
10	PIPE
11	PROTECTOR HOLDER
12	GEAR BOX ASSY
13	PRESS PLATE UP
14	PROTECT COVER
15	PRESS PLATE DOWN
16	NUT
17	BLADE
18	PROTECTOR
19	SAFETY GUARD
20	SHAFT
21	BEARING
22	NYLON CUTTER
23	SCREW
24	SCREW
25	SCREW
26	SCREW
27	SCREW
29	SCREW
30	FRONT COVER
31	SHOCK ABSORBER BODY
33	SCREW
34	SCREW

BT8952AS EX-RU20201103



ENGINE FOR BT8952AS

NO.	DESCRIPTION	NO.	DESCRIPTION	NO.	DESCRIPTION
9	SCREW M5X20	44	CYLINDER	69-10	EASY START COIL SPRING
10	GASKET	45	SCREW	76	SCREW M5X16
11	NUT	46A	GUIDE COVER ASSY	77	CLEANER COVER
16	OIL SEAL	47	SPARK PLUG	78	OUTLET FUEL PIPE
17	CRANK CASE	48	SPRING	79	PLUG
18	BEARING 6202	49	PLUG COVER	80	INLET FUEL PIPE
19	CRANKSHAFT	50	PLUG CAP	81	FUEL TANK
20	KEY	51	PLUG	82	LID ASSY
21	PIN	54	GASKET	82-1	FUEL TANK LID
22	RUBBER WASHER	55	MUFFLER	82-2	GASKET
23	CRANK CASE	56	SCREW	82-3	INLET
25	SCREW M5X30	57	BOLT	82-4	INSIDE COVER
26	MAGNETO ROTOR COMP	58	NUT	82-5	LID
27	NUT	59A	MUFFLER COVER	82-6	CHAIN
28	IGNITION COLL COMP	60	GASKET	89	STAND
29	CORD COMP	61	ADMITTING PIPE	90	RUBBER COVER
30	BOLT M5X20	62	GASKET	91	SCREW M5X20
31	WASHER	63	CARBURETOR	93	STARTER PULLEY ASSY
32	SPRING	69	STARTER	93-1	STARTER REEL
33	EXPANDER	69-1	SCREW	93-2	STOP RING
34	WASHER	69-2	WASHER	93-3	STARTER PAWL SPRING
35	SCREW PIN	69-3	START POPE REEL	93-4	STARTER PAWL
36	FAN COVER	69-4	POPE	94A	AIRFILTER COVER
37	BEARING 10X13X16	69-5	RECOIL SPRING	95A	AIR CLEANER
38	RING	69-6	START COVER ASSY	99	SCREW
39	PISTON	69-7	START HANDLE	100A	CIRCULAR COVER
40	PISTON PIN	69-8	RING		
41	GASKET	69-9	START RATCHET		
42	PISTON RING				
43	GASKET				

BT8952AS EX-RU20201103

